

DATA SHEET

Three Phase Induction Motor - Squirrel Cage



Customer : QUANTUM CONTROLS

Product line : W22 - IE3 Premium Efficiency Multivoltage Product code : 15839356

Frame	: L100L	Cooling method	: IC411 - TEFC
Insulation class	: F	Mounting	: B5T
Duty cycle	: S1	Rotation ¹	: Both
Ambient temperature	: -20 °C to +40 °C	Starting method	: Direct On Line
Altitude	: 1000 m.a.s.l	Approx. weight ³	: 37.5 kg
Protection degree	: IP55	Moment of inertia (J)	: 0.0120 kgm ²
Design	: N		

Output	3 kW	3 kW	3 kW
Poles	4	4	4
Frequency	50 Hz	50 Hz	50 Hz
Rated voltage	220/380 V	230/400 V	240/415 V
Rated current	10.8/6.26 A	10.7/6.15 A	10.5/6.07 A
L. R. Amperes	84.3/48.8 A	83.4/48.0 A	87.1/50.4 A
LRC	7.8	7.8	8.3
No load current	5.18/3.00 A	5.74/3.30 A	6.22/3.60 A
Rated speed	1430 rpm	1440 rpm	1445 rpm
Slip	4.67 %	4.00 %	3.67 %
Rated torque	20.0 Nm	19.9 Nm	19.8 Nm
Locked rotor torque	350 %	390 %	430 %
Pull up torque	295 %	330 %	365 %
Breakdown torque	280 %	320 %	360 %
Service factor	1.00	1.00	1.00
Noise level ²	53.0 dB(A)	53.0 dB(A)	53.0 dB(A)
Locked rotor time (hot)	15 s	15 s	15 s
Locked rotor time (cold)	27 s	27 s	27 s
Efficiency (%)	50%	87.7	86.3
	75%	88.0	87.7
	100%	87.7	88.1
Power Factor	50%	0.65	0.56
	75%	0.77	0.70
	100%	0.83	0.78

Bearing type	Drive end	Non drive end	Foundation loads
	6206-ZZ	6205-ZZ	
Lubrication interval	-	-	Max. compression : 1969 N
Lubricant amount	-	-	Load type :-
Lubricant type	MOBIL POLYREX EM		Load torque :-
			Load inertia (J=GD ² /4) :-

Notes
See notes on page 2.

This revision replaces and cancel the previous one, which must be eliminated.

- (1) Looking the motor from the shaft end.
- (2) Measured at 1m and with tolerance of +3dB(A).
- (3) Approximate weight, subject to be changed after manufacturing process.
- (4) At 100% of full load.

These are average values based on tests with sinusoidal power supply, subject to the tolerances stipulated in IEC 60034-1.

Rev.	Changes Summary		Rev.	Checked	Date
Performed by	dang			1230925079	
Checked by	AUTOMATICO			Page	Rev.
Date	11/11/2021			1 / 7	0

DATA SHEET

Three Phase Induction Motor - Squirrel Cage



Customer : QUANTUM CONTROLS

Product line : W22 - IE3 Premium Efficiency Multivoltage Product code : 15839356

Thermal protection

ID	Application	Type	Quantity	Sensing Temperature
1	Winding	Thermistor - 2 wires	1 x Phase	155°C

Space heater information

Voltage: 110-127 V

Output: 9.2-12 W

Notes

Standards	Specification	: IEC 60034-1	Vibration	: IEC 60034-14
	Test	: IEC 60034-2	Tolerance	: IEC 60034-1
	Noise	: IEC 60034-9		

This revision replaces and cancel the previous one, which must be eliminated.
(1) Looking the motor from the shaft end.
(2) Measured at 1m and with tolerance of +3dB(A).
(3) Approximate weight, subject to be changed after manufacturing process.
(4) At 100% of full load.

These are average values based on tests with sinusoidal power supply, subject to the tolerances stipulated in IEC 60034-1.

Rev.	Changes Summary		Rev.	Checked	Date
Performed by	dang			1230925079	
Checked by	AUTOMATICO			Page	Rev.
Date	11/11/2021			2 / 7	0

THERMAL LIMIT CURVE

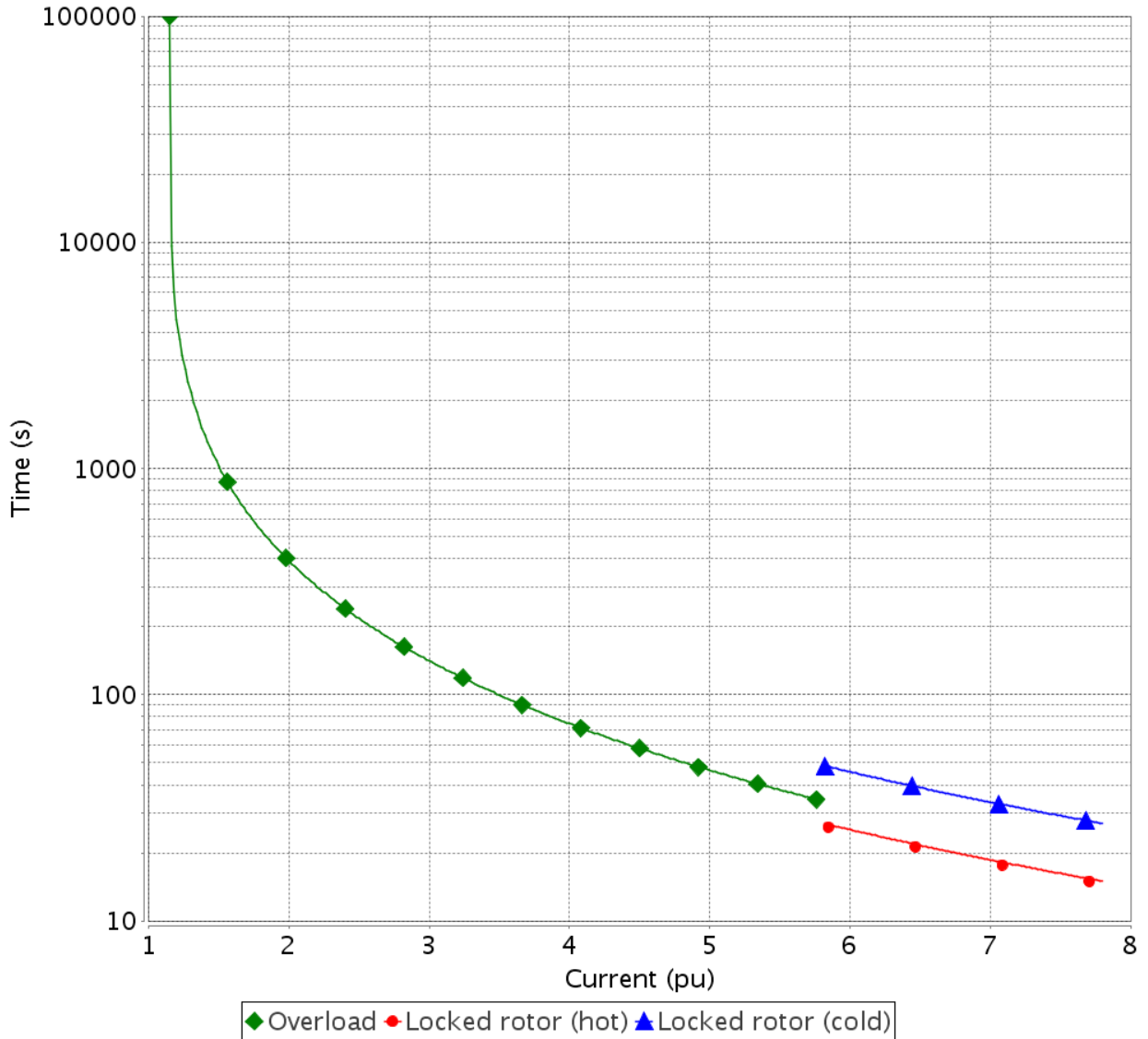
Three Phase Induction Motor - Squirrel Cage



Customer : QUANTUM CONTROLS

Product line : W22 - IE3 Premium Efficiency Multivoltage

Product code : 15839356



Performance : 3 kW 220/380 V 50 Hz 4P L100L

Rated current	: 10.8/6.26 A	Moment of inertia (J)	: 0.0120 kgm ²
LRC	: 7.8	Duty cycle	: S1
Rated torque	: 20.0 Nm	Insulation class	: F
Locked rotor torque	: 350 %	Service factor	: 1.00
Breakdown torque	: 280 %	Temperature rise	: 80 K
Rated speed	: 1430 rpm	Design	: N
Heating constant	: 18.9 min		
Cooling constant	: 56.7 min		

Rev.	Changes Summary		Rev.	Checked	Date
Performed by	dang				
Checked by				Page	Rev.
Date	11/11/2021			3 / 7	0

LOAD PERFORMANCE CURVE

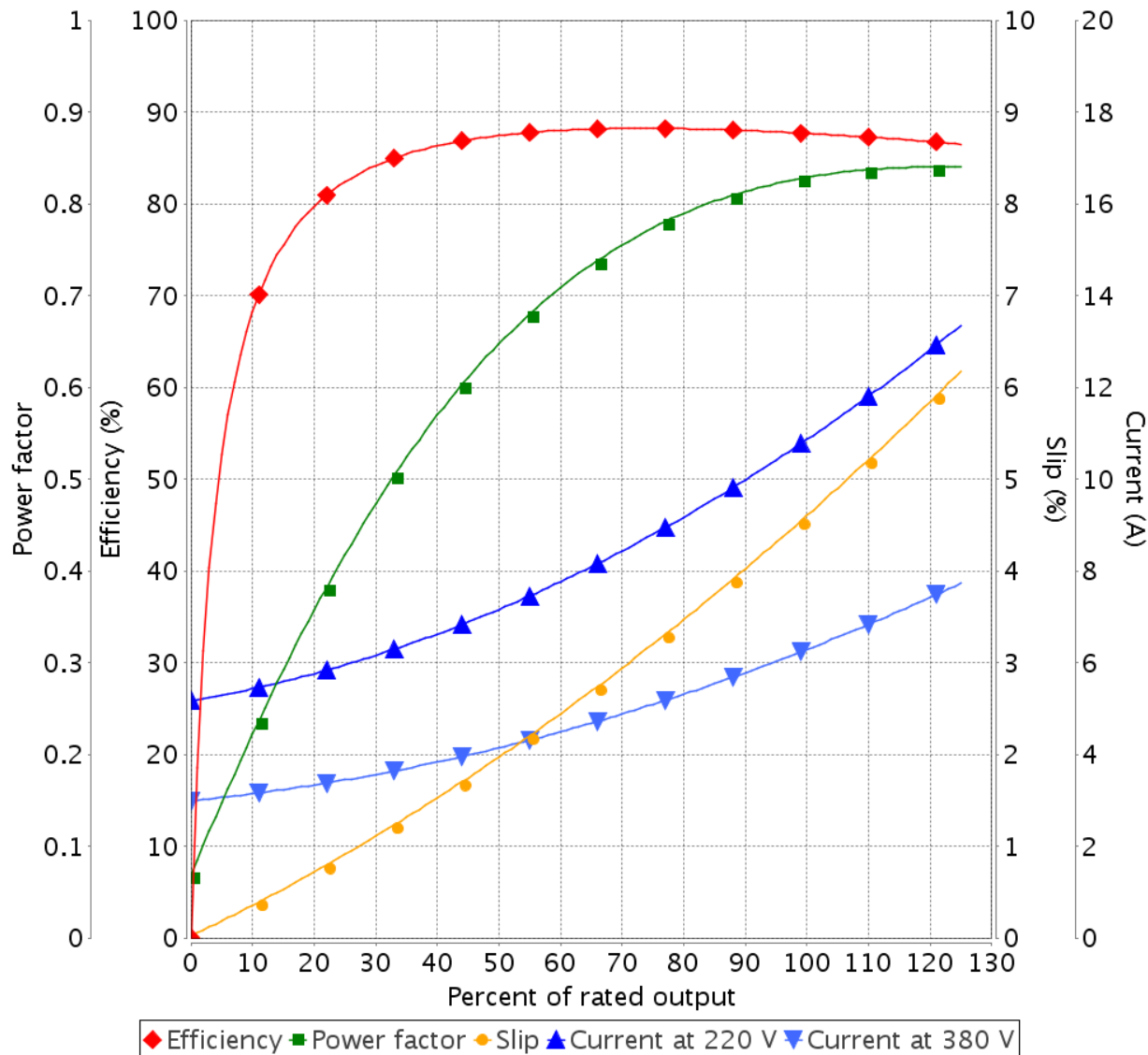
Three Phase Induction Motor - Squirrel Cage



Customer : QUANTUM CONTROLS

Product line : W22 - IE3 Premium Efficiency Multivoltage

Product code : 15839356



Performance : 3 kW 220/380 V 50 Hz 4P L100L

Rated current : 10.8/6.26 A

Moment of inertia (J) : 0.0120 kgm²

LRC : 7.8

Duty cycle : S1

Rated torque : 20.0 Nm

Insulation class : F

Locked rotor torque : 350 %

Service factor : 1.00

Breakdown torque : 280 %

Temperature rise : 80 K

Rated speed : 1430 rpm

Design : N

Rev.	Changes Summary		Rev.	Checked	Date
Performed by	dang				
Checked by				Page	Rev.
Date	11/11/2021			4 / 7	0

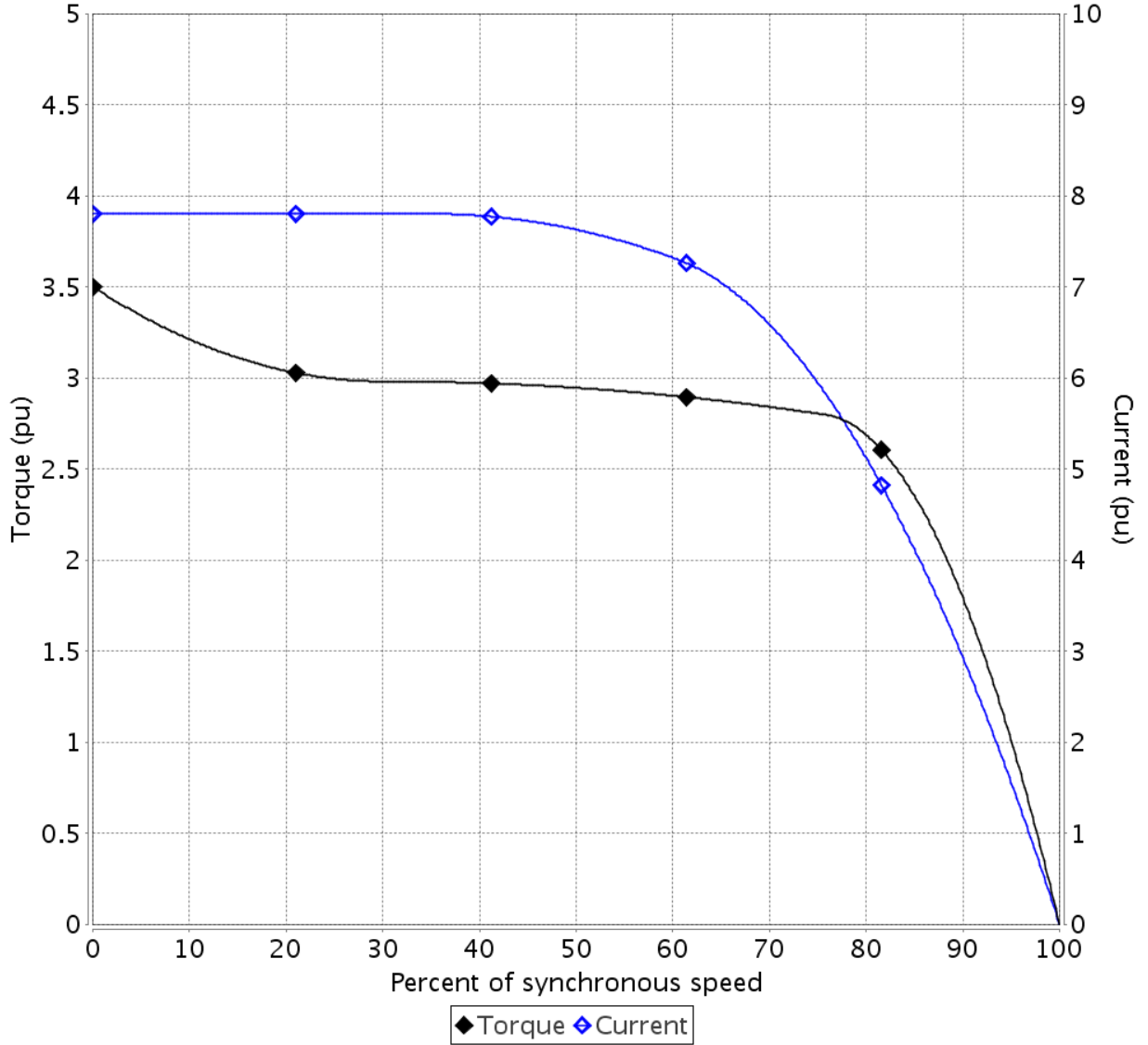
TORQUE AND CURRENT VS SPEED CURVE

Three Phase Induction Motor - Squirrel Cage



Customer : QUANTUM CONTROLS

Product line : W22 - IE3 Premium Efficiency Multivoltage Product code : 15839356



Performance : 3 kW 220/380 V 50 Hz 4P L100L

Rated current	: 10.8/6.26 A	Moment of inertia (J)	: 0.0120 kgm ²
LRC	: 7.8	Duty cycle	: S1
Rated torque	: 20.0 Nm	Insulation class	: F
Locked rotor torque	: 350 %	Service factor	: 1.00
Breakdown torque	: 280 %	Temperature rise	: 80 K
Rated speed	: 1430 rpm	Design	: N

Locked rotor time 100% : 15 s (hot) 27 s (cold)
 Load inertia (J=GD²/4) : 0.0120 kgm²

Rev.	Changes Summary	Rev.	Checked	Date
Performed by	dang	1230925079		
Checked by	AUTOMATICO	Page	Rev.	
Date	11/11/2021	5 / 7	0	

VFD OPERATION CURVE

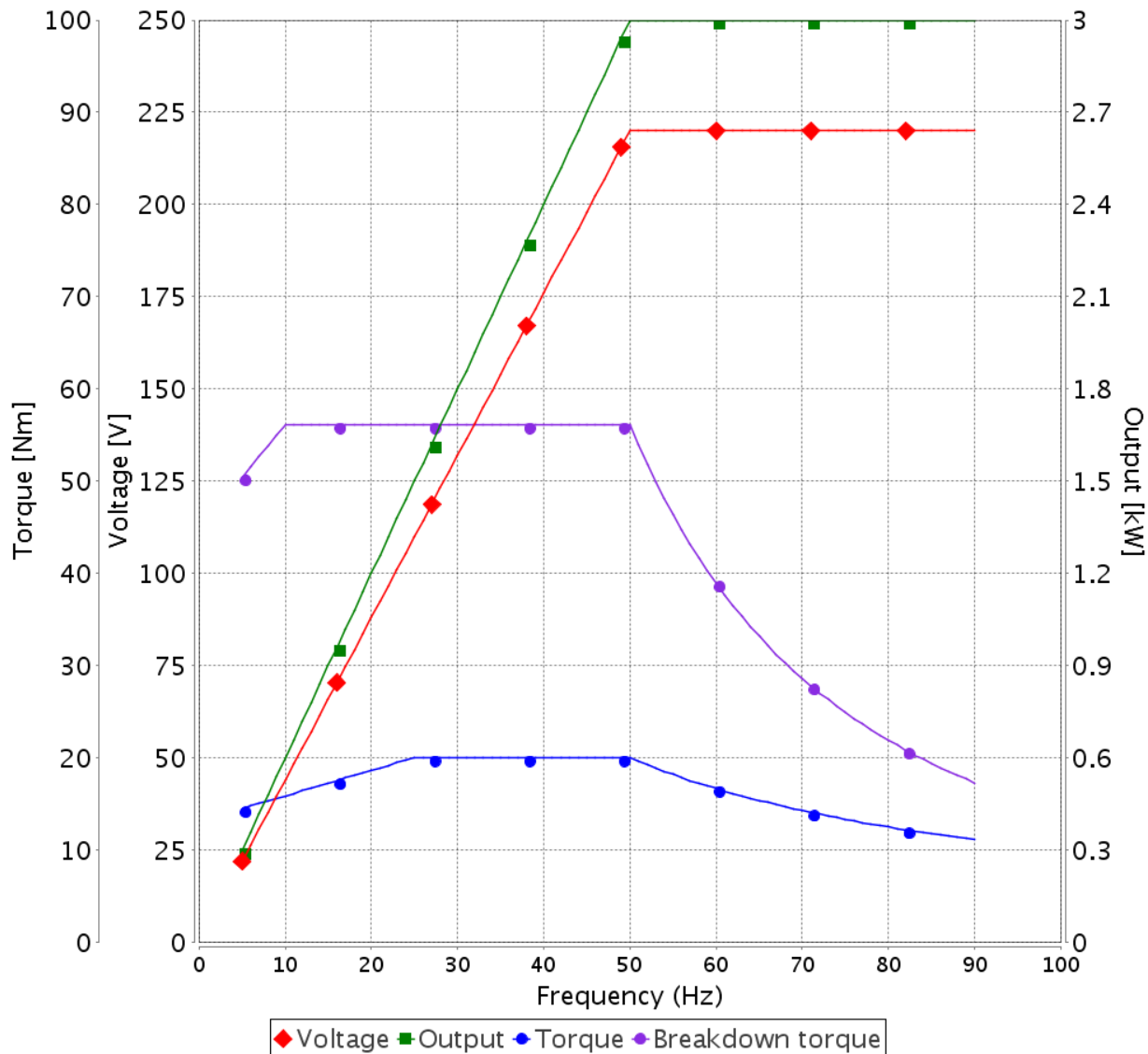
Three Phase Induction Motor - Squirrel Cage



Customer : QUANTUM CONTROLS

Product line : W22 - IE3 Premium Efficiency Multivoltage

Product code : 15839356



Performance : 3 kW 220/380 V 50 Hz 4P L100L

Rated current : 10.8/6.26 A
 LRC : 7.8
 Rated torque : 20.0 Nm
 Locked rotor torque : 350 %
 Breakdown torque : 280 %
 Rated speed : 1430 rpm

Moment of inertia (J) : 0.0120 kgm²
 Duty cycle : S1
 Insulation class : F
 Service factor : 1.00
 Temperature rise : 80 K
 Design : N

Voltage Peak Phase-Phase = 2000.0
 dV/dt = 6500.0
 Rise time = 0.1

Rev.	Changes Summary		Rev.	Checked	Date
Performed by	dang				
Checked by				Page	Rev.
Date	11/11/2021			6 / 7	0

EQUIVALENT CIRCUIT

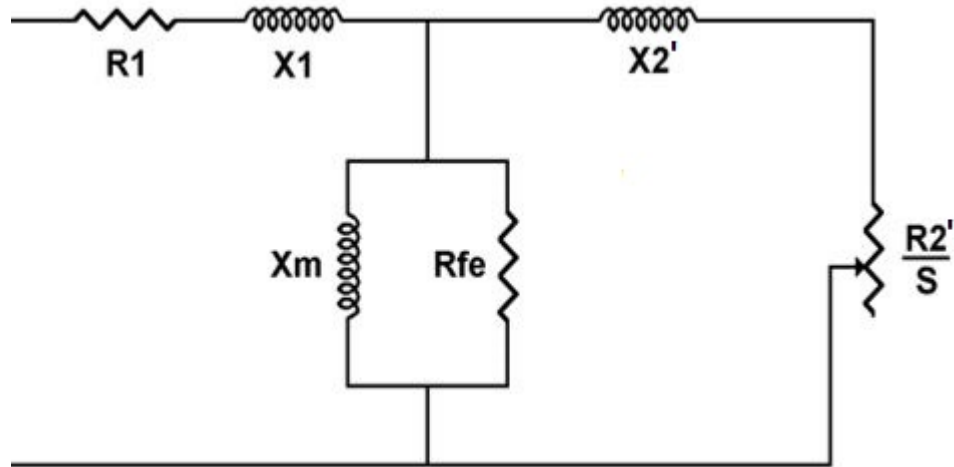
Three Phase Induction Motor - Squirrel Cage



Customer : QUANTUM CONTROLS

Product line : W22 - IE3 Premium Efficiency Multivoltage

Product code : 15839356



Rated			
R1	1.1384 omhs / 0.0237 p.u.	X1	2.6991 omhs / 0.0561 p.u.
R2'	1.2444 omhs / 0.0259 p.u.	X2'	3.8772 omhs / 0.0806 p.u.
Rfe	1678.3790 omhs / 34.8694 p.u.	Xm	65.5903 omhs / 1.3627 p.u.

Locked rotor			
R1	1.3129 omhs / 0.0273 p.u.	X1	1.6241 omhs / 0.0337 p.u.
R2'	1.6915 omhs / 0.0351 p.u.	X2'	1.3649 omhs / 0.0284 p.u.
Rfe	1468.0690 omhs / 30.5001 p.u.	Xm	79.2383 omhs / 1.6462 p.u.

T"do	0.1502 s	X/R	2.1943 p.u.
T"d	0.0066 s	RS	0.4285 omhs / 0.0089 p.u.
Ta	0.0060 s	X"d = Xs	2.9891 omhs / 0.0621 p.u.
Zbase	48.1333 omhs	X2(-)	1.9077 omhs / 0.0396 p.u.

All parameters reflected to stator side.
Per phase values, for Y connection.
Resistances at 20.0 °C, reactances at rated voltage and frequency.

R1	: Stator resistance	T"do	: Open circuit AC time constant
R2'	: Rotor resistance	T'd	: Short circuit AC time constant
Rfe	: Core loss resistance	Ta	: Short circuit DC time constant
X1	: Stator leakage reactance	X/R	: X/R ratio
X2'	: Rotor leakage reactance	RS	: Supplementary losses resistance
Xm	: Magnetizing reactance	X"d = Xs	: Subtransient reactance
Zbase	: Base impedance	X2(-)	: Negative sequence reactance

Rev.	Changes Summary		Rev.	Checked	Date
Performed by	dang		Page		Rev.
Checked by			7 / 7		0
Date	11/11/2021				