

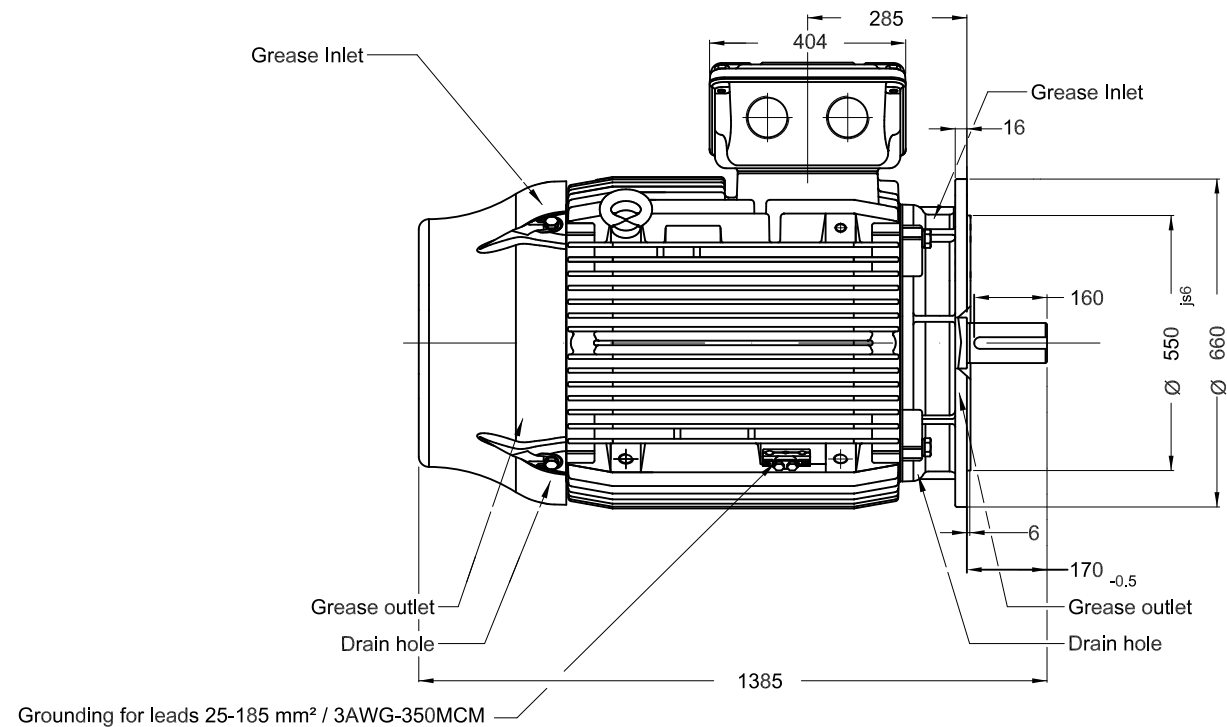
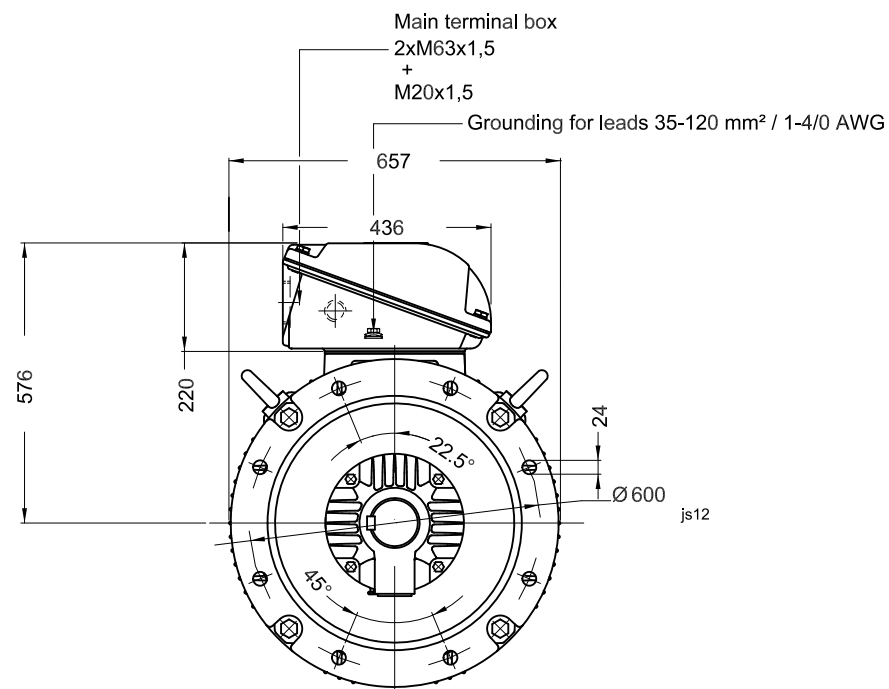
A

B

C

D

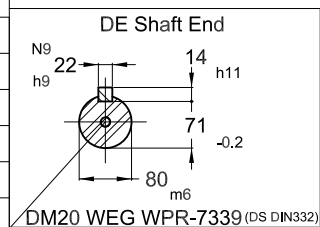
E



200 kW 04 Poles 50 Hz

A

- Without vertical jackscrews
- Sealing - Viton oil seal ring
- NDE endshield with electrically insulated bearing hub
- Color RAL 5009
- Painting plan 203A
- Mounting B5T



ECM	LOC	SUMMARY OF MODIFICATIONS	EXECUTED	CHECKED	RELEASED	DATE	VER
EXECUTED	PIRWUSER	THREE PH. MOTOR W22 IE3 FRAME 315L IP55 TEFC					
CHECKED							
RELEASED							
REL DT.	WMO	Jaragua do Sul	Product Engineering	SHEET	1 / 1		

PREVIEW  
WDD



Dimensions in mm

XME A3