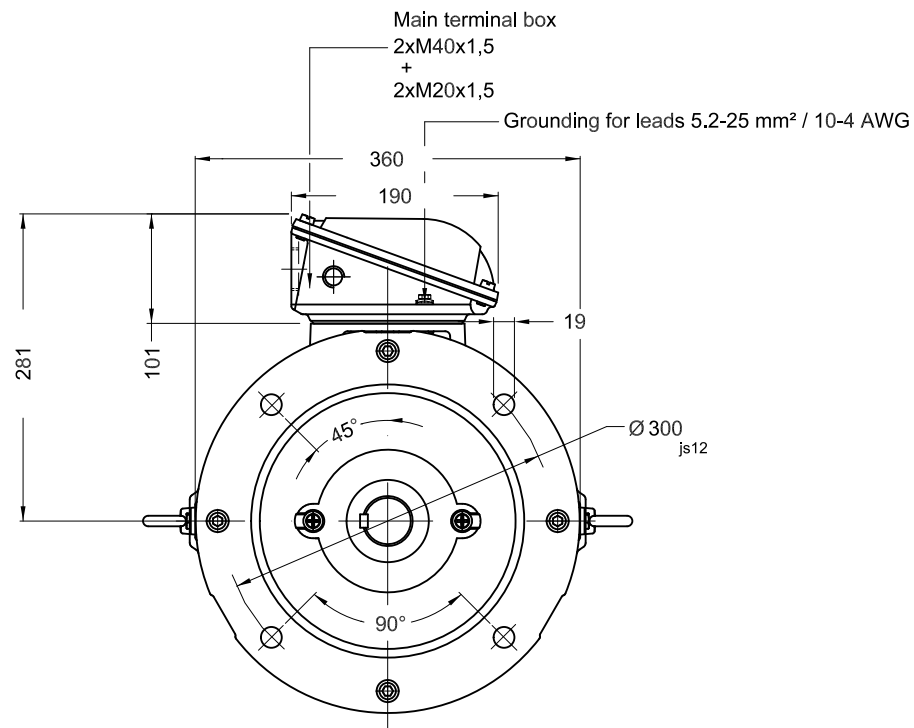
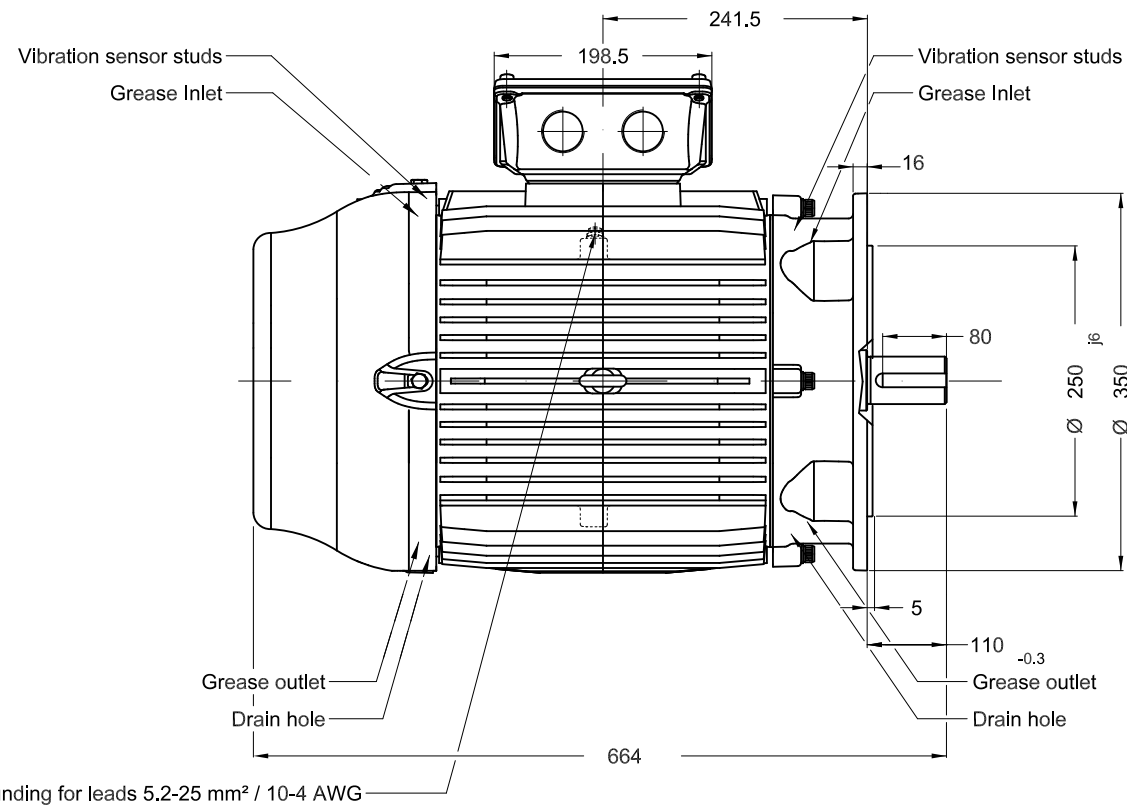


1 2 3 4 5 6

A



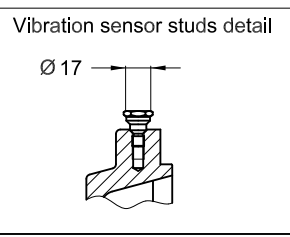
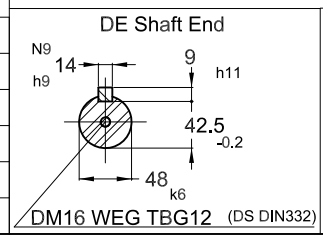
B



C

D

Space heaters 110-127 V / 200-240 V
With grease fitting
SPM studs
Color RAL 5009
Painting plan 202P
Mounting B5T



18.5 kW 04 Poles 50 Hz A

QUANTUM CONTROLS

ECM	LOC	SUMMARY OF MODIFICATIONS				EXECUTED	CHECKED	RELEASED	DATE	VER
EXECUTED	PIRWBUSER		THREE PH. MOTOR W22 IE3				<b>PREVIEW</b> WDD		SHEET 1 / 1	XME A3
CHECKED			FRAME 180M IP55 TEFC							
RELEASED										
REL DT.			WMO	Jaragua do Sul	Product Engineering					

Dimensions in mm

XME A3